

HALL EFFECT ROTARY SENSOR AR 0xx-xx

Series of Hall Effect rotary sensors for motorsport application, no noise effect and high temperature stability.

Typical applications:

angular position measurement of mechanical devices like throttle, pedal...

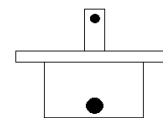


Configurations availability:

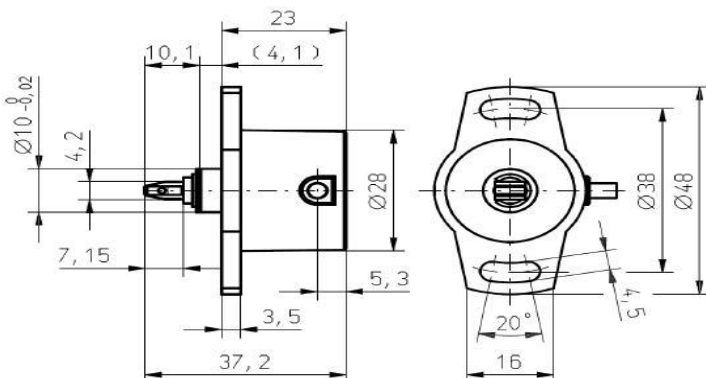
cod.	Measure range	Supply	Direction (front shaft view)	Note
AR 019-07	0÷30°	5 Vdc	Redundant 6 wires	Cross character.
AR 002-12	0÷100°	5 Vdc	Clockwise (CW)	Standard
AR 015-08	0÷100°	7÷30 Vdc	Clockwise (CW)	Standard
AR 003-09	0÷100°	5 Vdc	Redundant 6 wires	Cross character.
AR 006-10	0÷360°	5 Vdc	Counterclockwise (CCW)	Standard
AR 005-08	0÷360°	7÷30 Vdc	Clockwise (CW)	Standard

TECHNICAL SPECIFICATIONS:

- ◆ Current consumption: 20 mA
- ◆ Output voltage: 0,5÷4,5 Vdc
- ◆ Mechanical angle: 360° continuous
- ◆ Linearity: 0,5 %FS
- ◆ Repeatability: 0,03 %FS
- ◆ Frequency range: >250Hz
- ◆ Temperature range: -40°C ÷ +85°C
- ◆ Protection: IP65
- ◆ Shaft: Stainless steel 303, Push-On
- ◆ Weight: ≈ 50 g



Medial Position



CONNECT.	STD	AR019-07	AR003-09
Sup.1	Red	Brown	Red
Gnd 1	Green	White	Black
Sign.1	Blue	Green	Blue
Sup.2	-	Red	White
Gnd 2	-	Black	Green
Sign.2	-	Yellow	Yellow